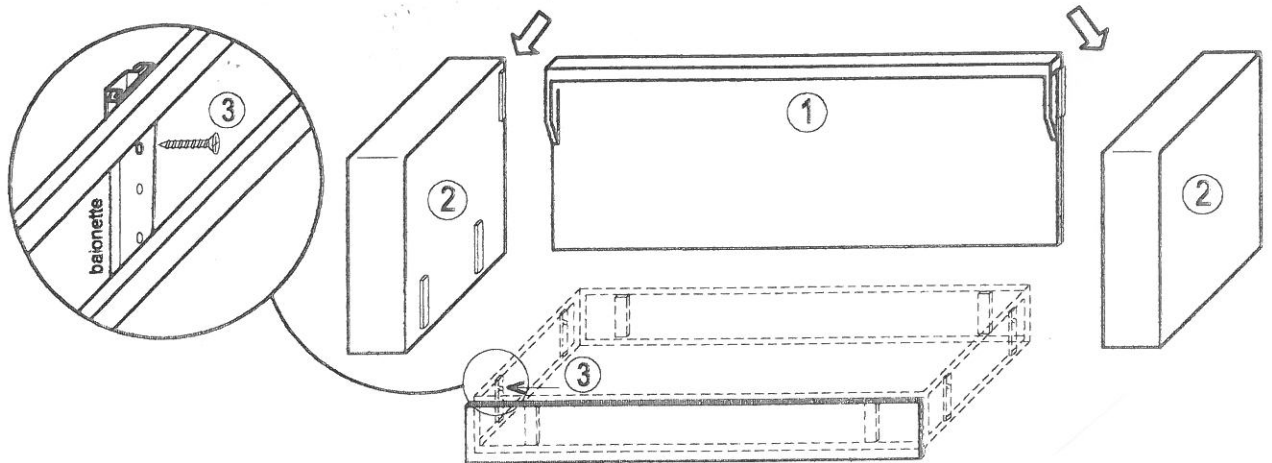


- ① Place the back into the gliding system.
- ② Place the armrests into the gliding system

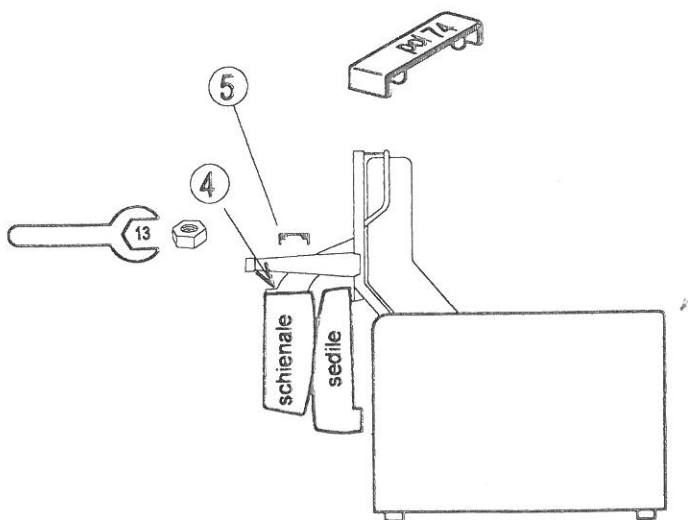


- ③ This operation is not compulsory: please do it only to fix the armrests. Tighten the screws fixing the gliding system placed inside the loom (see picture on the left).

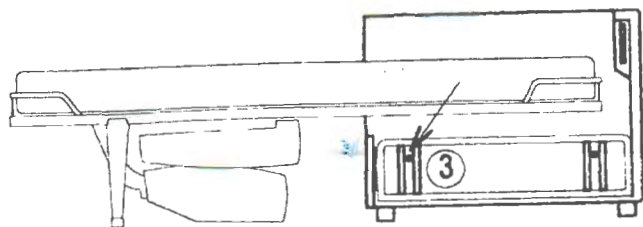


Keep the net half open to assemble the back cushion (see picture on the left)

WITH THE BEDSPRING HALF OPEN



- ④ Screw the hexagonal nuts nr. 4 by using a key nr. 13.
- ⑤ Cover the nuts with the rectangular plastic guard

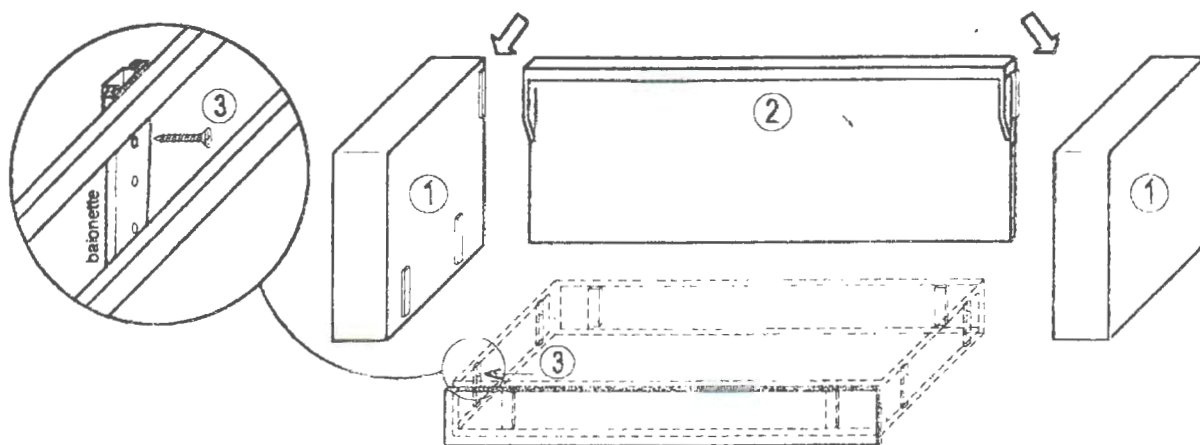


① Place the armrests into the gliding system.

② Place the back into the gliding system



③ This operation is not compulsory: please do it only to fix the armrests. Tighten the screws fixing the gliding system placed inside the loom (see picture on the left).

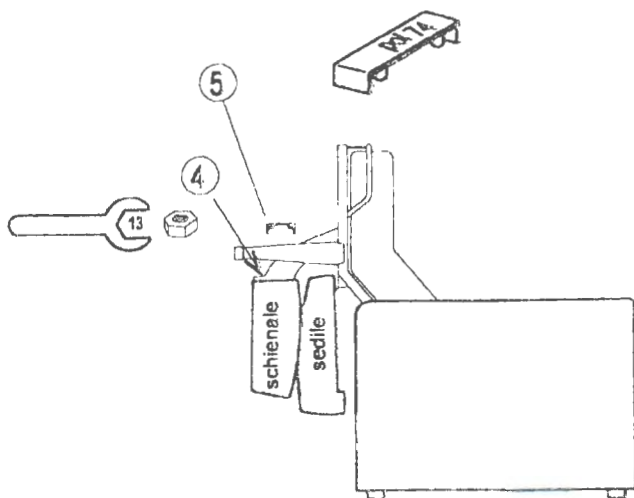


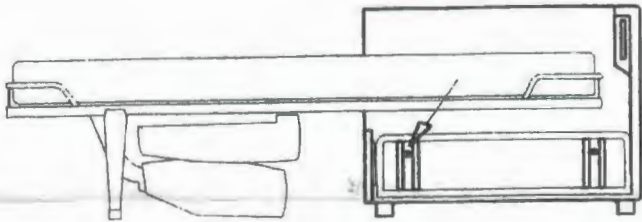
Keep the net half open to assemble the back cushion (see picture on the left)

WITH THE BEDSPRING HALF OPEN

④ Screw the hexagonal nuts nr. 4 by using a key nr. 13.

⑤ Cover the nuts with the rectangular plastic guard





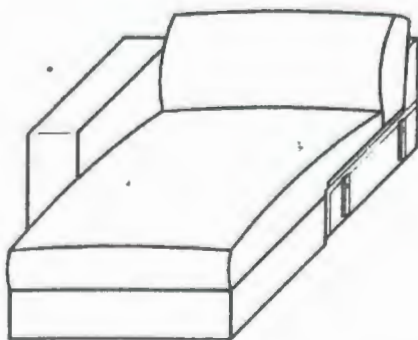
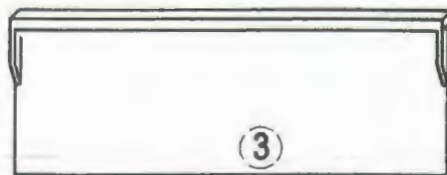
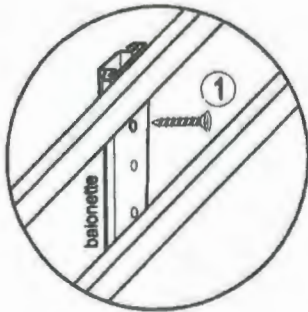
- ① Place the armrest of the sofa into the gliding system.



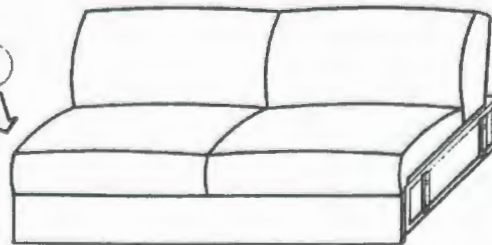
This operation is not compulsory; please do it only to fix the armrest. Tighten the screws fixing the gliding system placed inside the loom (see picture on the left).

- ② Placing the angle element from above, fix it to the loom of sofa with the gliding system.

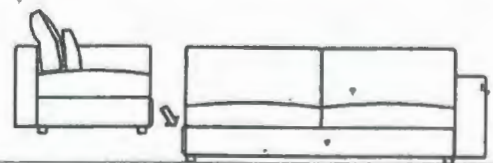
- ③ Place the back of sofa between the armrest and the chaise longue



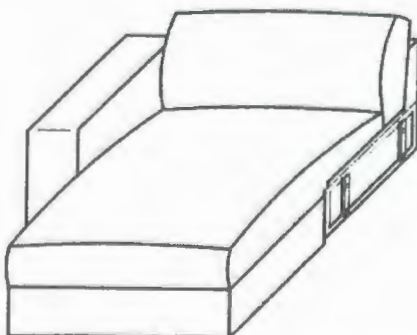
②



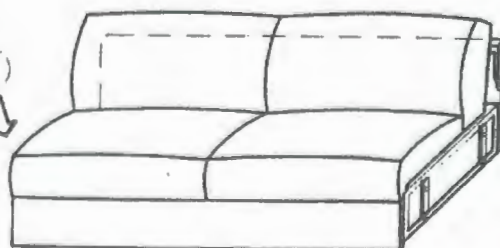
①



IN CASE OF ALREADY ASSEMBLED BACK ON THE SOFA (only for some models)



②



①

